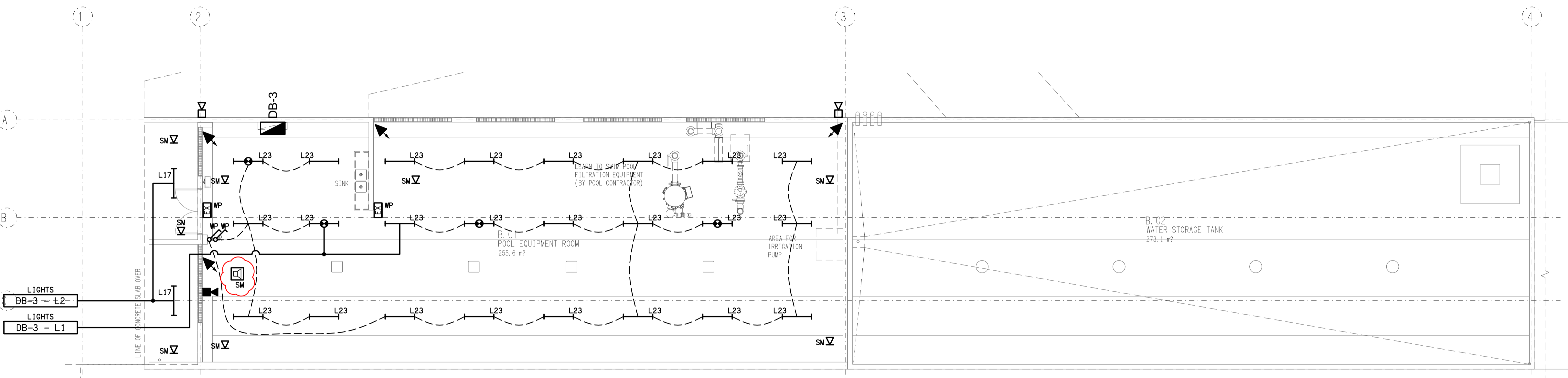
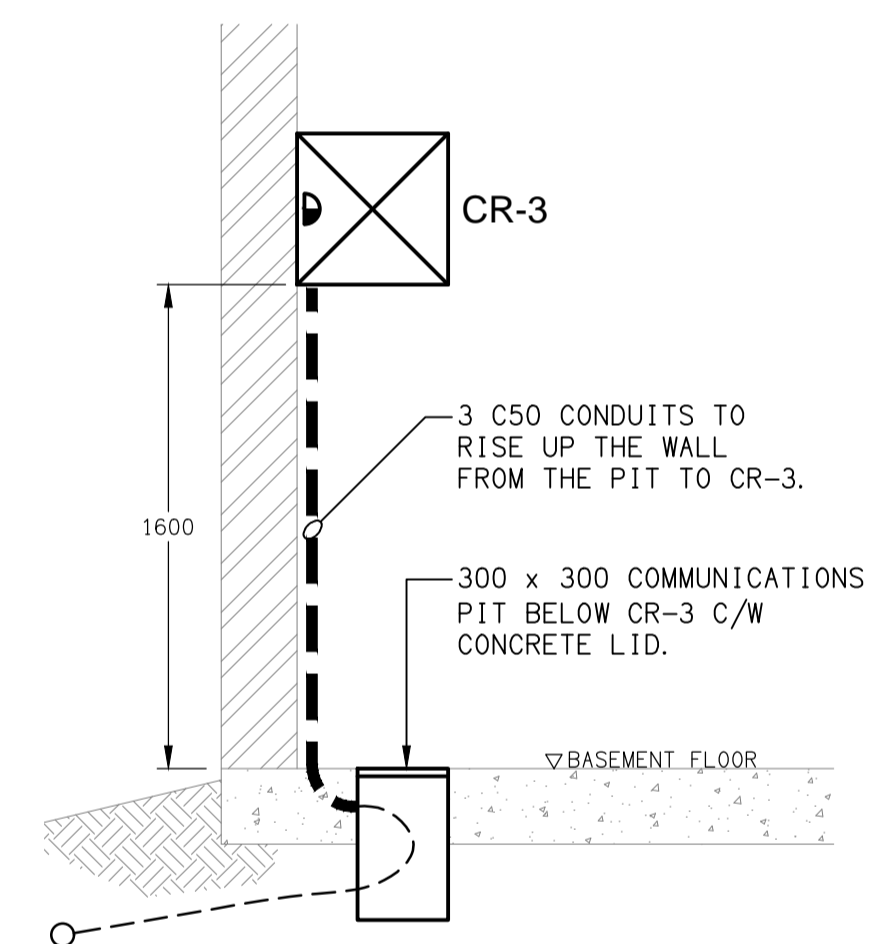


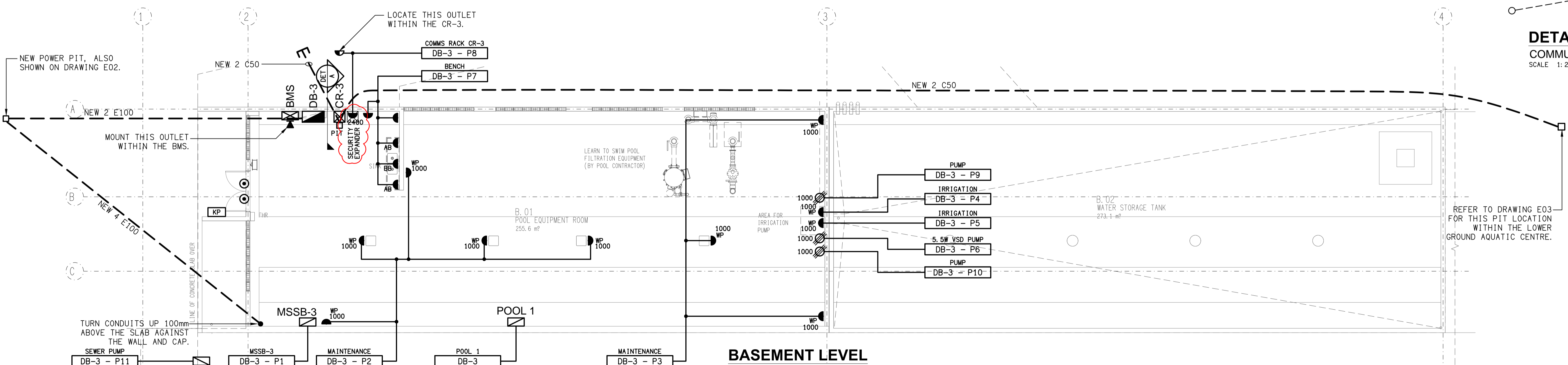
GROUND LEVEL
FLOOR PLAN
SCALE 1:100



BASEMENT LEVEL
REFLECTED CEILING PLAN
SCALE 1:100



DETAIL A
COMMUNICATION RACK CR-3 SECTION
SCALE 1:25



BASEMENT LEVEL
FLOOR PLAN
SCALE 1:100

REFER TO DRAWING E03 FOR THIS PIT LOCATION WITHIN THE LOWER GROUND AQUATIC CENTRE.

ELECTRICAL DESIGN GROUP BRISBANE PTY LTD
ACN 092 710 793
TRADING AS:
ELECTRICAL DESIGN GROUP

THE COPYRIGHT OF THIS DRAWING REMAINS THE PROPERTY OF THE ELECTRICAL DESIGN GROUP.
USE FIGURED DIMENSIONS IN PREFERENCE TO SCALE.
ALL DIMENSIONS TO BE VERIFIED ONSITE.

ELECTRICAL DESIGN GROUP
ELECTRICAL BUILDING SERVICES CONSULTANTS
BRISBANE GOLD COAST
P.O. Box 15, Sherwood Q.4075
Phone: (07) 3278 4375
Email: brisbane@edg.net.au
Web: www.edg.net.au

PROJECT:
ST JOHN'S ANGLICAN COLLEGE
FOREST LAKE
AQUATIC CENTRE STAGE 1
COLLEGE AVENUE, FOREST LAKE

D	CONSTRUCTION	02/09/2024
REV:	DESCRIPTION:	DATE:
DRAWING: ELECTRICAL SERVICES POOL EQUIPMENT BUILDING PLANS		
SCALE: 1:100	PROJECT NO: AT A1 C3120a	DRAWING NO: E07
		REVISION: D